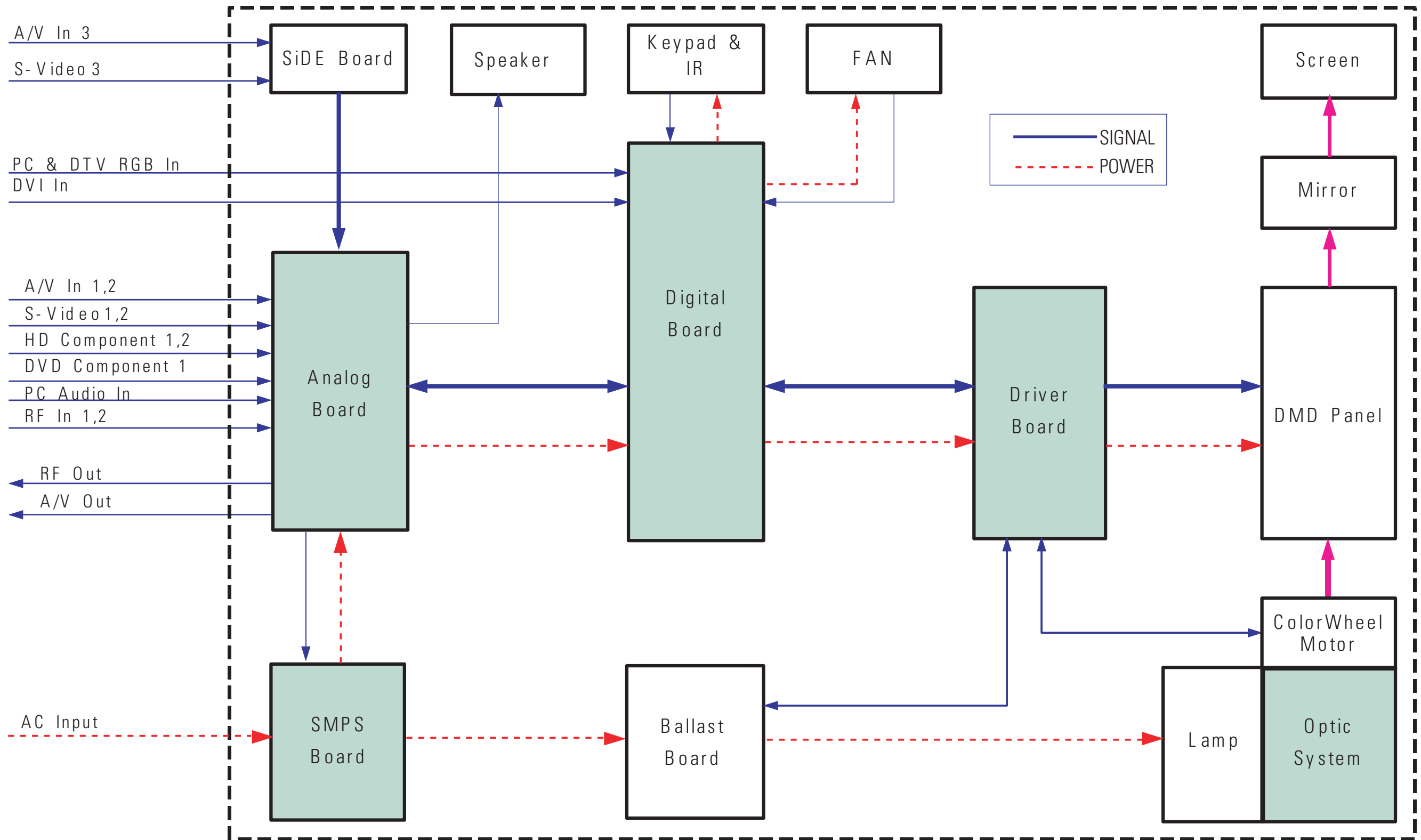
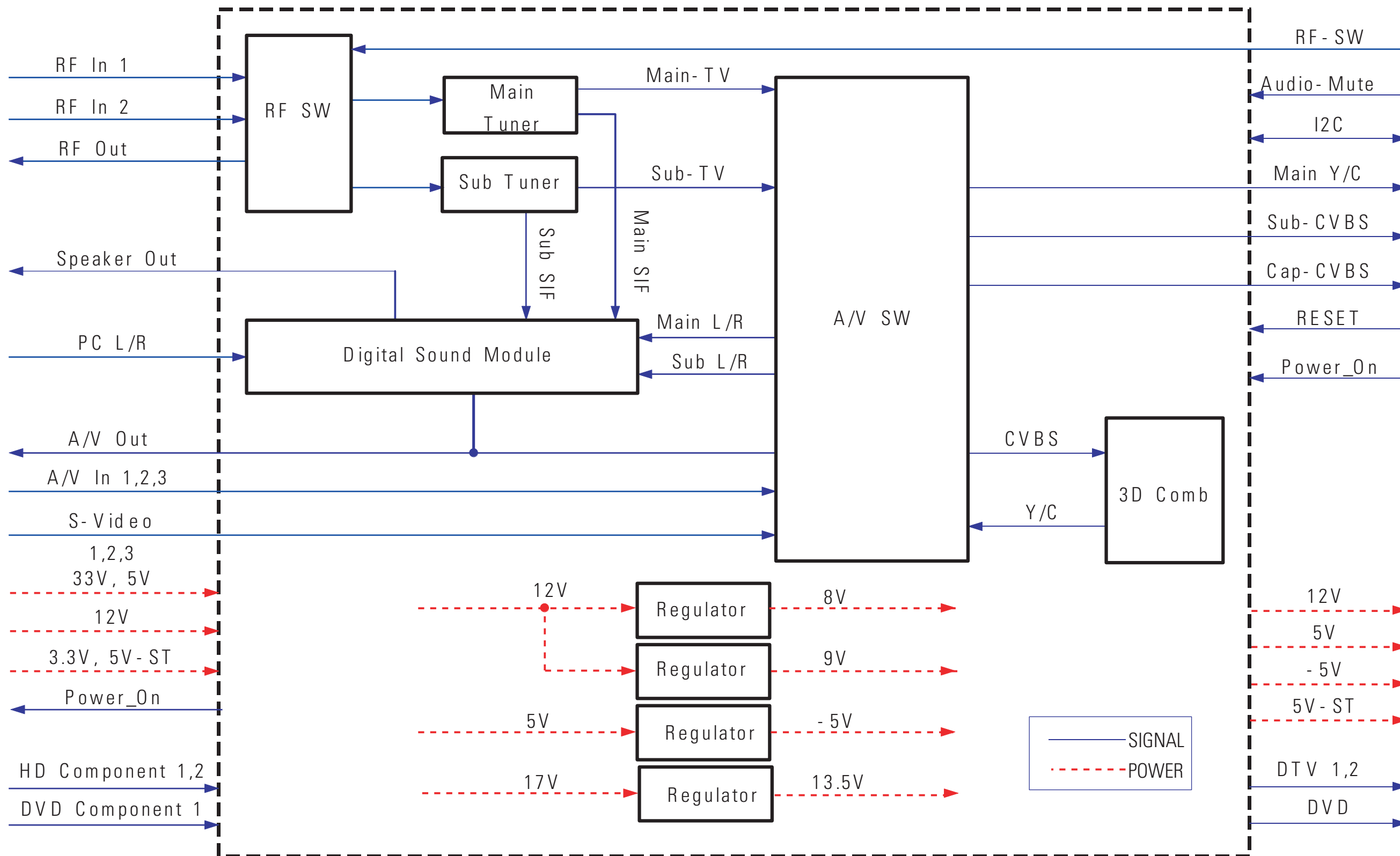


## 9. Block Diagram

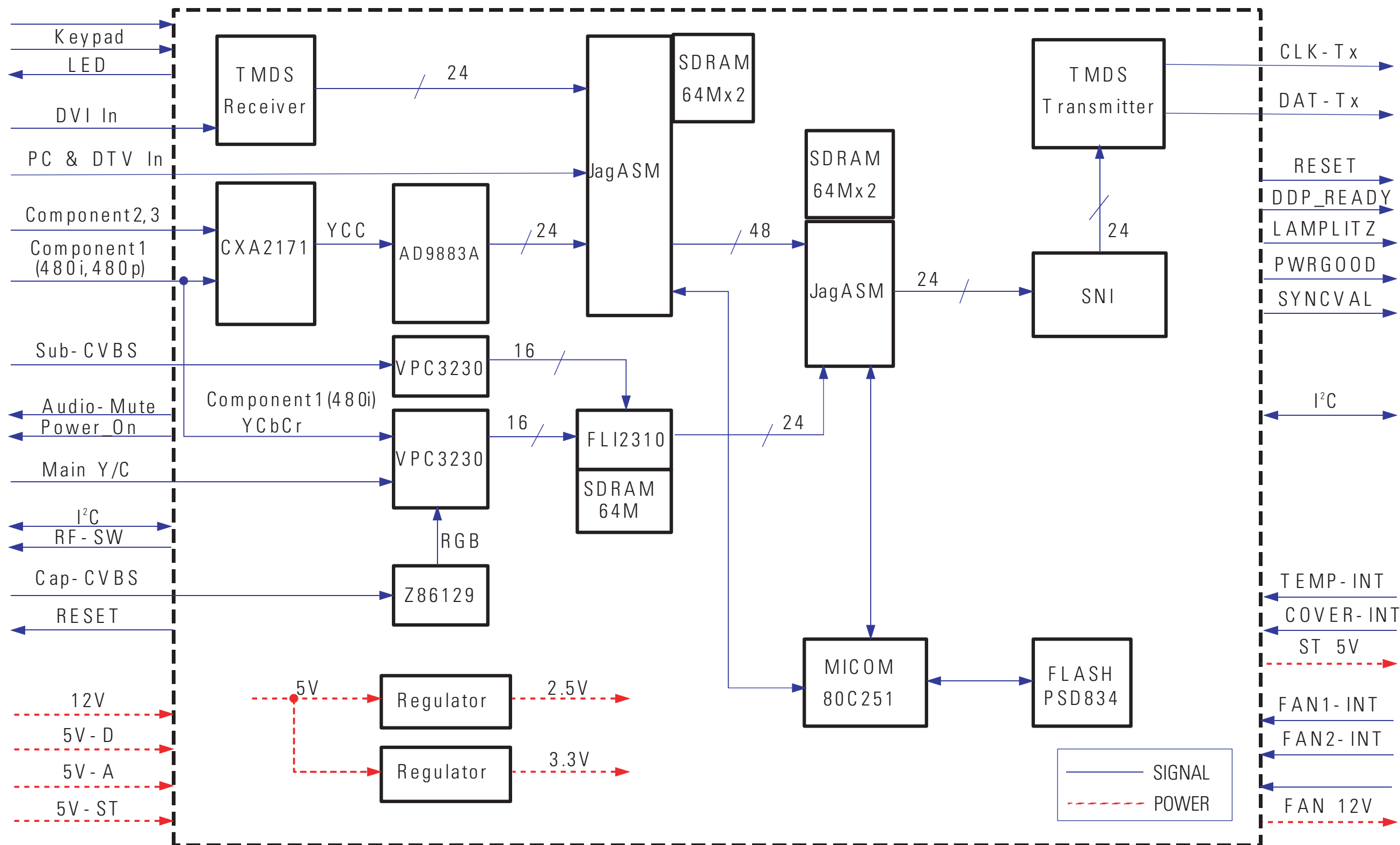
### 9-1 System Block Diagram



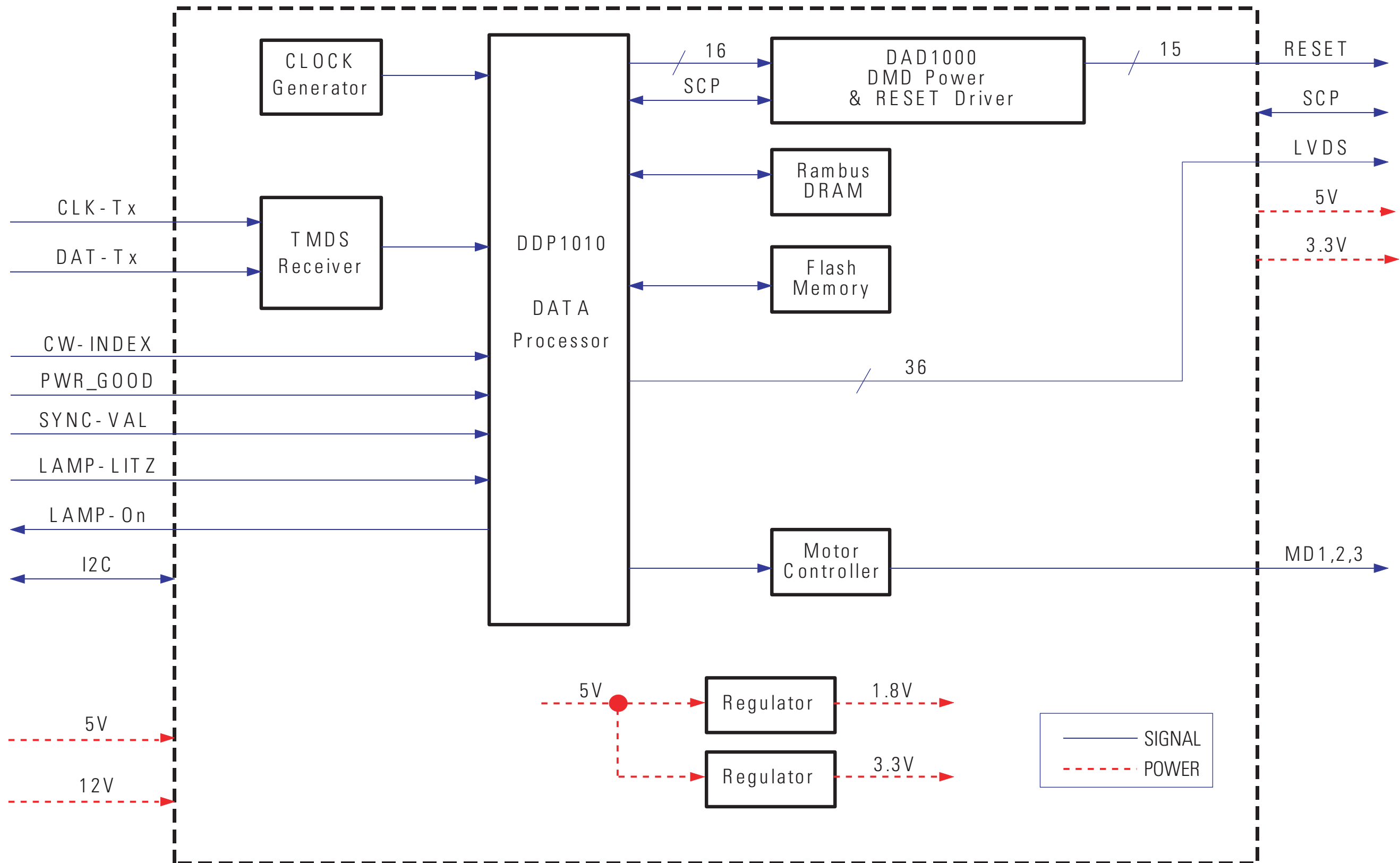
### 9-2 Analog Board Block Diagram



### 9-3 Digital Board DNle Block Diagram



### 9-4 Driver Board Block Diagram



### 9-5 Power Board Block Diagram

